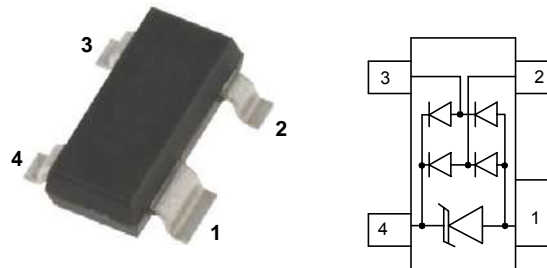


### Features

- 100Watts peak pulse power ( $t_p = 8/20\mu s$ )
- SOT-143 Package
- Unidirectional configurations
- Solid-state silicon-avalanche technology
- Low clamping voltage
- Low leakage current
- Low capacitance
- ESD Protection for high-speed data lines to:  
IEC 61000-4-2  $\pm 15kV$  contact  $\pm 20kV$  air  
IEC 61000-4-4 (EFT) 40A (5/50ns)  
IEC 61000-4-5 (Lightning) 6A (8/20 $\mu s$ )



### Mechanical Data

- **Case:** SOT-143 (plastic package).  
Lead free; RoHS compliant; Halogen free
- **Molding Compound Flammability Rating:**  
UL 94 V-0
- **Terminals:** High temperature soldering guaranteed:  
260 °C/10 sec. at terminals

### Applications

- USB2.0
- Ethernet 10BaseT
- I<sup>2</sup>C Bus Protection
- T1/E1 secondary IC Side Protection
- ISDN S/T Interface

### Absolute Maximum Ratings

Ratings at 25 °C, ambient temperature unless otherwise specified

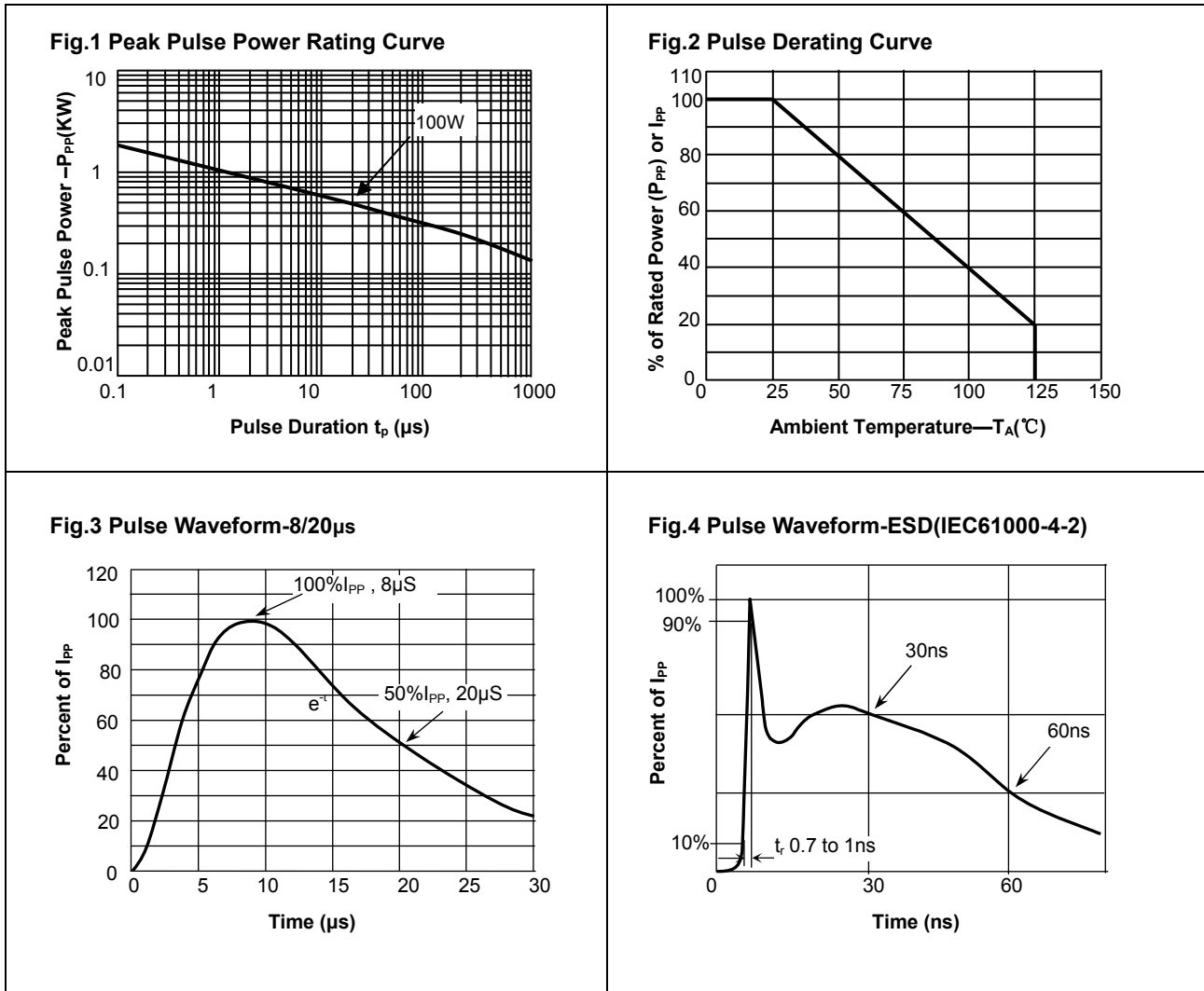
Parameter	Symbol	Value	Unit
Peak Pulse Power ( $T_P=8/20\mu s$ )	$P_{PP}$	100	W
ESD contact/air discharge (IEC-61000-4-2)	$V_{ESD}$	15/20	kV
Peak Pulse Current ( $T_P = 8/20\mu s$ )	$I_{PP}$	6	A
Junction Temperature	$T_J$	-55 to +125	°C
Storage temperature	$T_{STG}$	-55 to +150	°C

### Electrical Characteristics

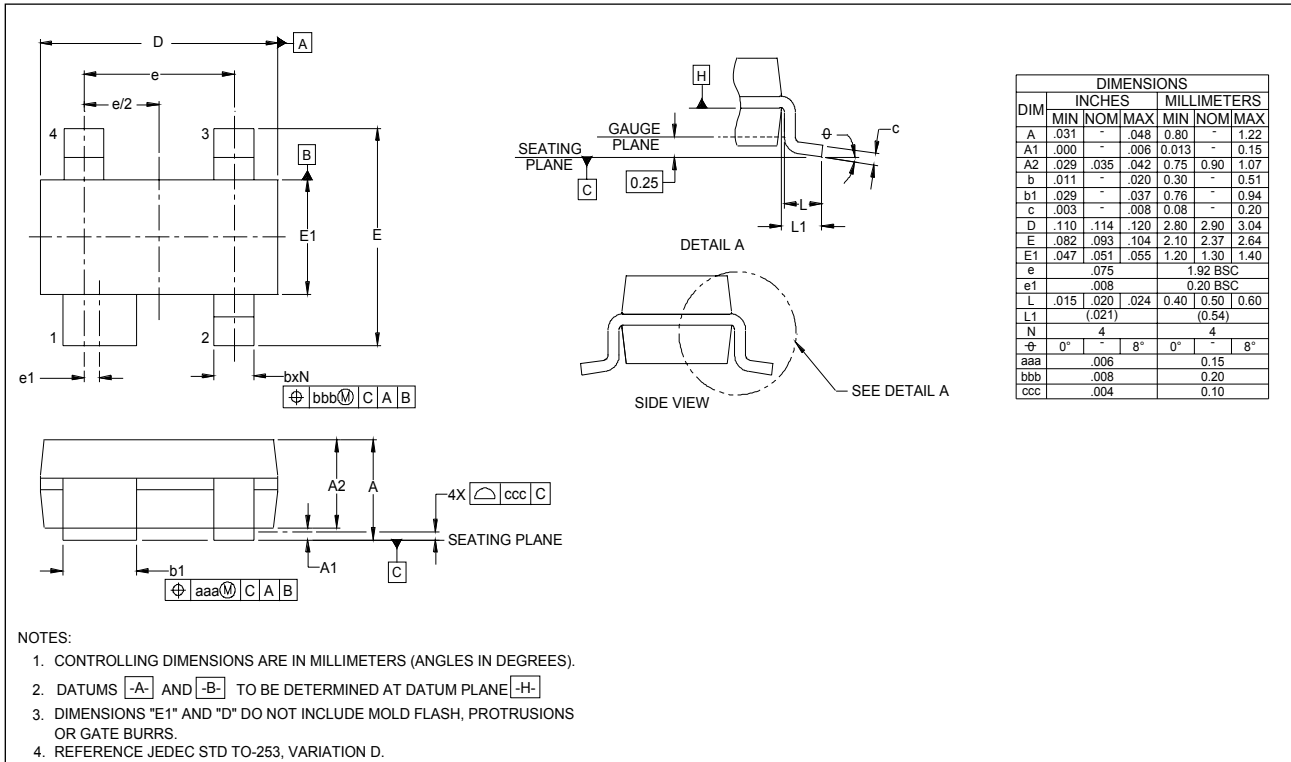
( $T_A = 25\text{ °C}$  unless otherwise specified)

Parameter	Symbol	Condition	Min	Typ	Max	Unit
Reverse stand-off Voltage	$V_{RWM}$				5	V
Reverse Breakdown Voltage	$V_{BR}$	$I_T=1mA$	6	6.8	8.5	V
Reverse Leakage Current	$I_R$	$V_R=5V$			5	$\mu A$
Clamping Voltage(SURGE)	$V_C$	$I_{PP}=1A, T_P=8/20\mu S$			9.8	V
Clamping Voltage(SURGE)	$V_C$	$I_{PP}=6A, T_P=8/20\mu S$		15		V
Junction Capacitance	$C_J$	$V_R=0V, f=1MHz, I/O$ to I/O		0.3		pF
	$C_J$	$V_R=0V, f=1MHz, I/O$ to GND		0.6		pF

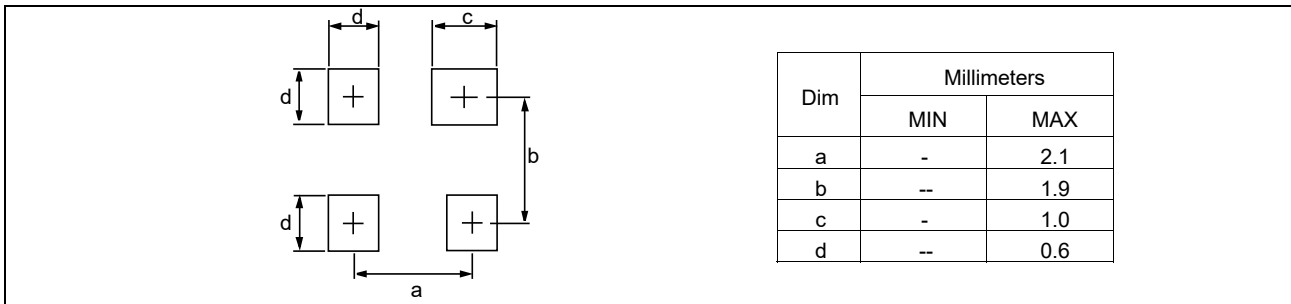
**Typical Characteristics** ( $T_{amb} = 25\text{ }^{\circ}\text{C}$  unless otherwise specified)



### Package Dimensions



### Pad Dimensions



### Marking



### Ordering information

Order code	Package	Packaging option	Base quantity	Packaging specification
YEUST140506AV	SOT-143	Tape and reel	3000pcs / reel	EIA STD RS-481